

© [2017] AB SANDVIK MATERIALS TECHNOLOGY. ALL RIGHTS RESERVED.

This document is the property of AB Sandvik Materials Technology and contains information proprietary to AB Sandvik Materials Technology and its affiliated companies within the Sandvik Group (“Sandvik”). The information contained herein and any other written or oral communication transmitted or made available in relation to this document might be subject to change, completion, or amendment without notice. Sandvik disclaims any and all liability for the contents of, errors in, or omissions from, the information transmitted or made available to the recipient. No representations or warranties, expressed or implied, are made as to the accuracy or completeness of the provided information. Any opinions, estimates and projections contained in the document may involve significant elements of subjective judgment and analysis, which may or may not be accurate. Any projections are for illustrative purposes only, using the assumptions described in the relevant material. There are often differences between forecast and actual results because events and circumstances frequently do not occur as predicted and these differences may be material. Sandvik undertakes no obligation to provide recipient with access to any additional information. The document is submitted in confidence and is to be used solely for the purpose for which it is furnished. This document and such information is not to be copied, transmitted, disclosed outside of your organization or to any third party or used otherwise in whole or in part without the prior written authorization of Sandvik.

# SAFETY FIRST

Sandvik's objective is zero harm to our people, the environment we work in, our customers and our suppliers.



PROTECTIVE  
EQUIPMENT



FIRST AID  
KIT



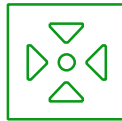
ALARM



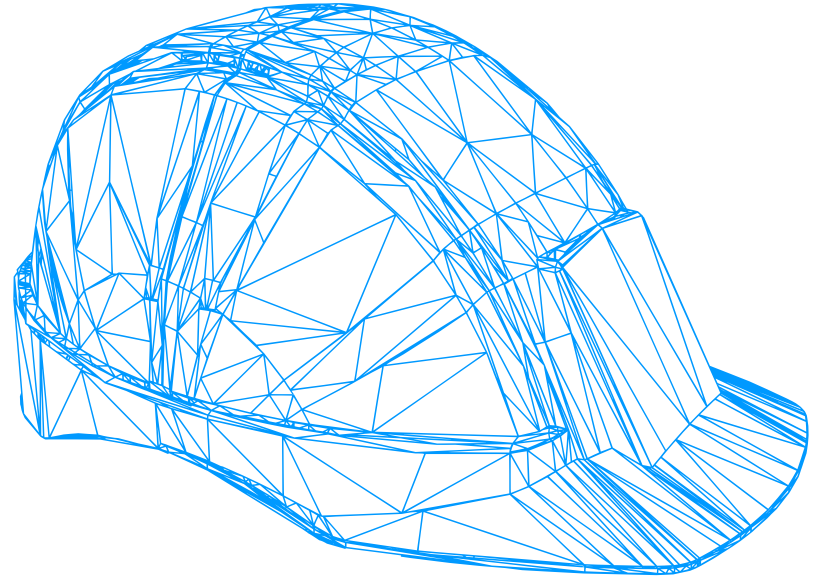
EMERGENCY  
NUMBER



EMERGENCY  
EXIT



ASSEMBLY  
POINT



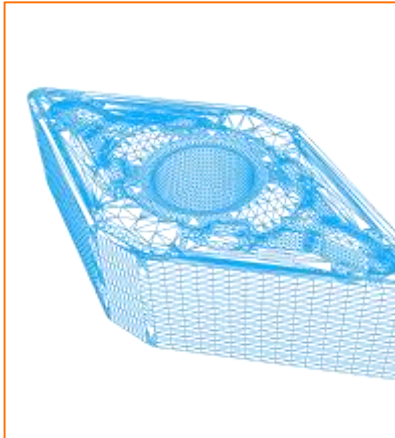
# SAVE THE PLANET USE MORE FUEL (CELLS)

MATS W LUNDBERG, PHD

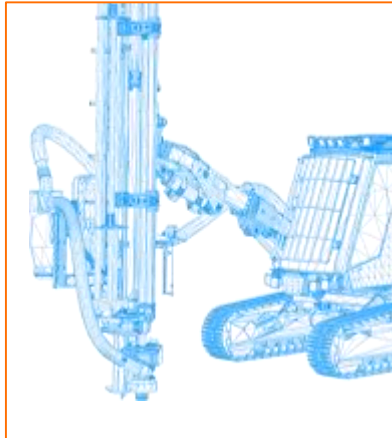


# WORLD-LEADING POSITIONS

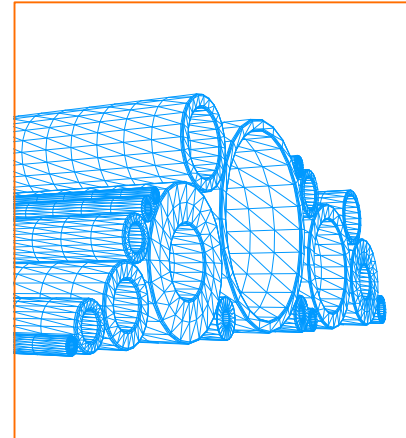
## IN THE FOLLOWING AREAS



METAL CUTTING



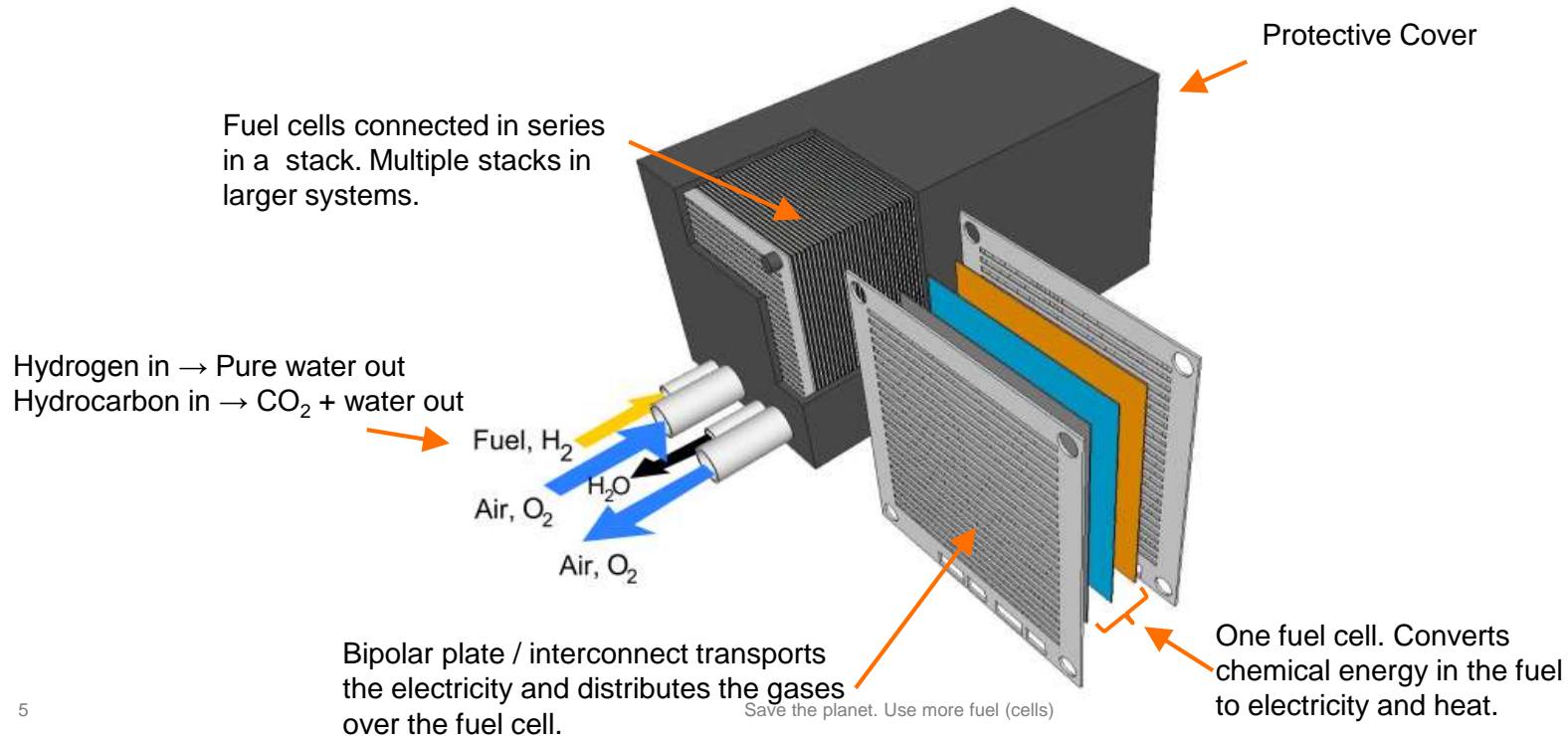
MINING AND ROCK  
TECHNOLOGY



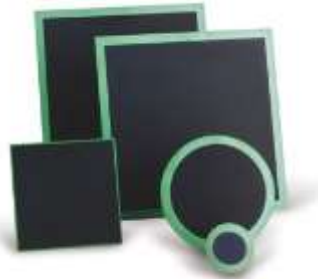
ADVANCED MATERIAL  
KNOWLEDGE

# FUEL CELLS?

CONVERTS CHEMICAL ENERGY TO ELECTRICITY



# BUILDING A FUEL CELL



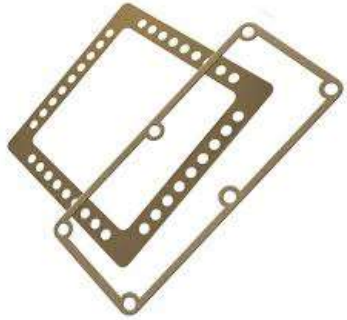
Fuel Cell



Stack



System



6 Gasket



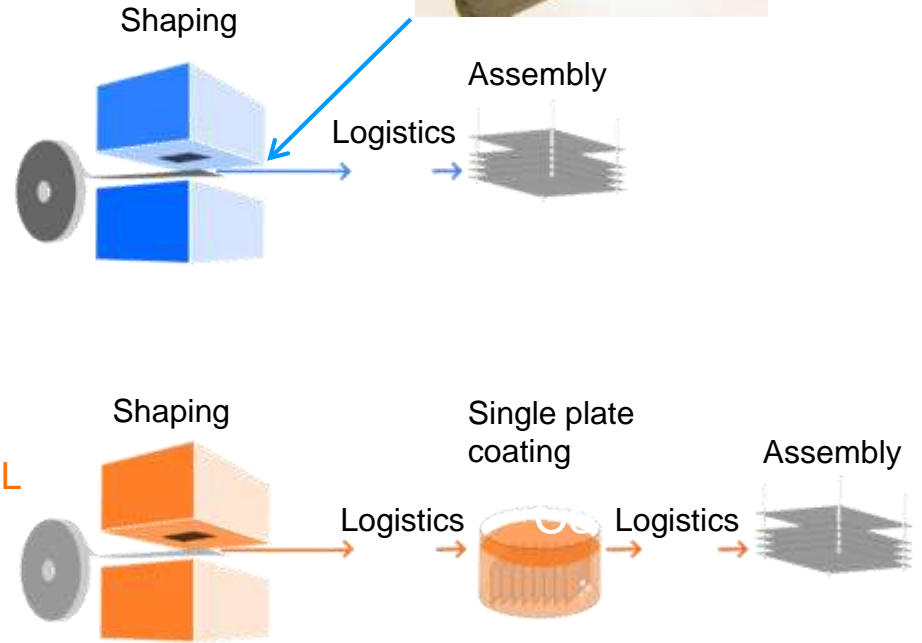
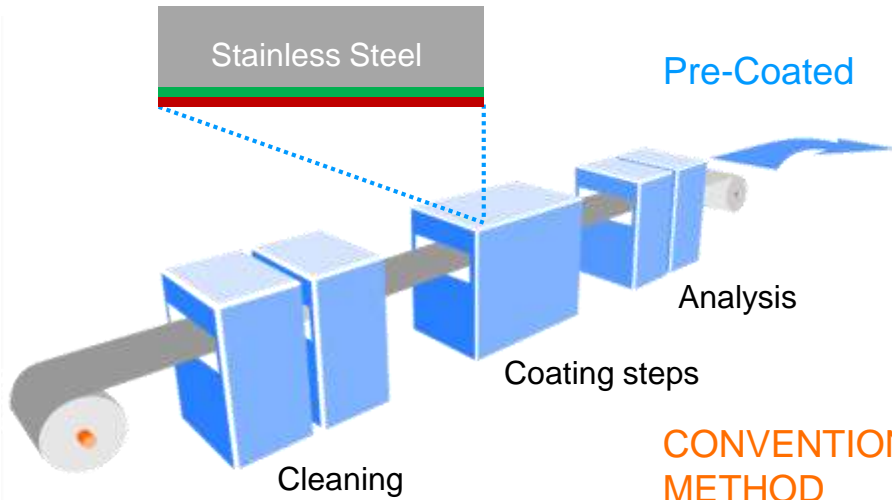
Bipolar plate

Save the planet. Use more fuel (cells)



# SANDVIKS PRE-COATED SOLUTION

NANOTECHNOLOGY READY FOR MASSPRODUCTION



CONVENTIONAL METHOD







# SAVE THE PLANET USE MORE FUEL (CELLS)





- Green hydrogen from electrolysis
- Water and wind energy
- Pipeline i.e. no road transport
- Dual pressure system



SANDVIK.COM